

**Drain:** HUNTERS CREEK VILLAGE DRAIN      **Drain #:** 149  
**Improvement/Arm:** HUNTERS CREEK VILLAGE - SECTION 1  
**Operator:** JDH      **Date:** 6-10-04  
**Drain Classification:** Urban/Rural      **Year Installed:** 1984

**GIS Drain Input Checklist**

- Pull Source Documents for Scanning JDH
- Digitize & Attribute Tile Drains N/A
- Digitize & Attribute Storm Drains JDH
- Digitize & Attribute SSD JDH
- Digitize & Attribute Open Ditch N/A
- Stamp Plans JDH
- Sum drain lengths & Validate JDH
- Enter Improvements into Posse JDH
- Enter Drain Age into Posse slw ✓
- Sum drain length for Watershed in Posse slw 6-10-2004
- Check Database entries for errors JDH

**Gasb 34 Footages for Historical Cost  
Drain Length Log**

Drain-Improvement: HUNTERS CREEK VILLAGE - HUNTERS CREEK VILLAGE - SECTION 1

Drain Type:	Size:	Length <i>SURVEYED LENGTH</i>	Length (DB Query)	Length Reconcile	If Applicable	
					Price:	Cost:
SSD	6"	200'	200'	Ø		
RCP	12"	950'	1,445'	+495'		
	15"	666'	581'	-85'		
	18"	836'	837'	+1'		
	21"	335'	335'	Ø		
	24"	207'	165'	-42'		
	27"	175'	175'	Ø		
PVC	10"	450'	Ø	-450'		

Sum: 3819'    3738' \* -81'

Final Report: \_\_\_\_\_

Comments:

SR AND AB DISAGREE ON 12", 15", 18", 24" RCP AND 10" PVC LENGTHS. (Original Report 12-23-1981)  
\* Numbers closely reflect Engineer's Estimate



SURVEYOR'S OFFICE  
**Hamilton County**

Kenton C. Ward, Surveyor

773-6110 Ext. 19

Noblesville, Ind. 46060 December 23, 1981

TO: Hamilton County Drainage Board

RE: Hunter's Creek Village Section 1 Drain Petition  
Revised report

Attached is a revised plan and calculations for the proposed Hunter's Creek Village Legal Drain. This plan, Alternate Plan A, was chosen over the original and Alternate Plan B because the drainage system and detention areas are totally on site.

The drain per the new plan will consist of the following:

Unknown amount of Rip Rap  
2 Detention areas totaling 1.9ac-Ft  
1 Special storm inlet/outlet  
7 yard inlets  
2 manholes  
13 curb inlets  
1-21" temporary end section  
1-27" temporary end section  
3-18" end sections  
2-24" end sections  
3-15" end sections  
1-12" end section  
450'-10" perforated plastic tile  
950'-12" RCP  
666'-15" RCP  
836'-18" RCP  
335'-21" RCP  
207'-24" RCP  
175'-27" RCP

This will total to a length of <sup>3,819'</sup>3574 feet of legal drain. The legal drain is shown in red on the attached plan. Also shown in red are the two (2) detention area's and the easements for the portion of the drain not in street right of ways.

You will notice that the plan is much the same as the prior plan. The special inlet/outlet as discussed in the last report will remain the same. Because of the system being totally on site now the 360' of RCP and 360' of open ditch will not be placed across the Dyer property.

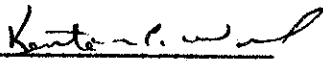
The detention area has been changed from one 4.05ac-ft area which would handle the entire proposed development to two areas which will handle only section 1. Upon checking the calculations, dated December 1, 1981, I am satisfied that there will not be an increase in run off onto the Dyer property from this site.

The assessment roll, which is attached, will remain the same as what was discussed in the last report, dated August 11, 1981.

I believe that the revised plan for the proposed legal drain will:

1. Be practicable,
2. Improve the public health, benefit a public highway and be of public utility; and
3. That the costs, damages and expenses of the proposed improvement will probably be less than the benefits which will result to the owners of lands likely to be benefited.

Sincerely,

  
Kenton C. Ward-Surveyor

KCW/no

STATE OF INDIANA ))  
                          )) SS:  
COUNTY OF HAMILTON)

To: Hamilton County Drainage Board, Noblesville, Indiana  
c/o County Surveyor, Courthouse, Noblesville, Indiana

**FILED**

AUG 6 1981

HAMILTON COUNTY DRAINAGE BOARD

*Nancy Ellen Oldham*  
SECRETARY

In the matter of Hunter's Creek Village Subdivision, Sections 1

Legal Drain Petition.

Petitioner is the owner of all lots in the land affected by the proposed new legal drain. The drainage will affect various lots in Hunter's Creek Village, a subdivision in Hamilton County, Indiana. The general route of such drainage shall be in existing easements and along public roads as shown in the plans on file in the Surveyor's Office.

Petitioner believes that the cost, damages and expense of the proposed improvement will be less than the benefits which will result to the owners of the land likely to be benefited thereby. Petitioner believes that proposed improvement will:

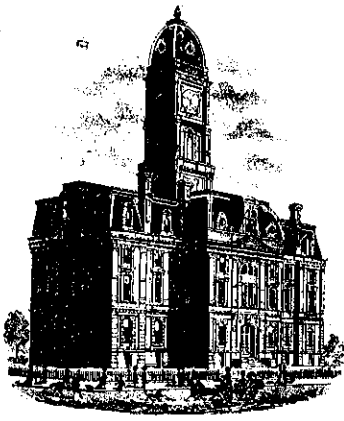
- (a) improve public health
- (b) benefit a public street
- (c) be of public utility

Petitioner agrees to pay the cost of construction of the storm sewers and requests periodic maintenance assessments by the Board thereafter. The Petitioner also agrees to the following:

1. To provide the Drainage Board a performance bond for the portion of the storm sewer system which will be made a legal drain. The bond will be in the amount of 100% of the Engineers estimate. Bond will be in effect until construction of 100% of the system is completed and so certified by the Engineer.
2. The Developer shall retain the Engineer throughout the construction phase. At completion of the project the Developers Engineer shall certify that the storm sewer system which is to be maintained as a legal drain has been constructed as per construction plans.
3. Any changes made in the field shall be documented and given to the Surveyor to be placed in the Drain file.
4. The developer shall instruct his Engineer to provide a reproducible print on a 24" x 36" mylar of the final design of the Drainage System.

The Petitioner further requests that the Drain be classified as an Urban Drain.

*SCHOTZ & THOMPSON, INC.*  
*James E. Thompson Pres.*  
Owner



SURVEYOR'S OFFICE

# Hamilton County

Kenton C. Ward, Surveyor

773-6110 Ext. 19

Noblesville, Ind. 46060 August 11 1981

TO: Hamilton County Drainage Board

RE: Hunters Creek Village Section 1  
Drain Petition

On AUGUST 6, 1981 the attached petition was submitted by Mr. Kenneth E. Thompson, President of Schutz & Thompson, Inc. for a legal drain for Hunters Creek Village, Section 1. This drain will effect the Hunters Creek Village Section 1 Subdivision in Section 24, Township 18 North, Range 3 East in Clay Township, Hamilton County, Indiana.

I have examined the said petition and found it to be in proper form.

The drain as proposed will consist of the following :

Unknown amount of RipRap	2 Temporary end sections
360 FT Open Ditch	2070' 12" RCP
4.05ac FT Detention area#	306' 15" RCP
8 metal end sections	496' 18" RCP
13 curb inlets	530' 21" RCP
6 catch basins	320' 24" RCP
3 manholes	175' 27" RCP
1 special storm inlet/outlet	20' 36" RCP

This will total to a length of 4,279 feet for the proposed drain. A plan showing the proposed system is attached.

The proposed drain has, at the corner of Lots 25 & 26, a special inlet/outlet. This has a 21" RCP flowing into it from the North and a 12" RCP as an outlet to the East. During dry periods having minimal flows the 12" RCP will handle the influx coming from the 21" RCP. During low flows

This copy printed from the Digital Archive of the Hamilton County Surveyor's Office; One Hamilton Co. Square, Ste. 188, Noblesville, In 46060

"21" pipe and flowing into the inlet from the swale to the West. When the 12" pipe reaches its capacity the runoff is designed to flow out of the structure and travel East in a swale over the tile.

Included in the legal drain is 380' of 12" RCP and 360 feet of Open ditch on the Phillip and Patricia Dyer property. The tile provides a method for draining low flows and the swale will take care of the heavy runoff when the tile is at capacity.


The assessment roll is attached to this report. With 73 Lots and 12.78 acres of road affected and charging \$15.00 per lot and \$3.00 an acre for roads a total yearly assessment will be \$1133.34. Although there is some drainage from the North and West from other properties draining across this property, I believe it should be discounted and not assessed as a contributor to this system. I also do not believe Mr. & Mrs. Dyer should be assessed for any benefit they may receive which would be minimal as far as acres draining into the system.

On August 10, 1981, I made a personal inspection of the lands described in the petition and upon review of the plans for the proposed drain I believe that:

1. The proposed improvement is practicable;
2. The proposed improvement will improve the public health, benefit a public highway and be of public utility; and
3. The costs, damages and expenses of the proposed improvement will probably be less than the benefits, which will result to owners of lands likely to be benefited.

Although Mr. Thompson has provided a waiver of notice to the Board, I believe there should be a hearing set for October 5, 1981 for setting this drain up as a legal drain and placing it on a maintenance program.

KCW/no

  
Kenton C. Ward - County Surveyor

STATE OF INDIANA )  
COUNTY OF HAMILTON ) SS:

**FILED**

To: Hamilton County Drainage Board, Noblesville, Indiana JUN 26 1981  
c/o County Surveyor, Court House, Noblesville, Indiana

HAMILTON COUNTY DRAINAGE BOARD

*Spencer Allen Oldham*  
SECRETARY

In the matter of Hunter's Creek Village Subdivision, Section

One Drain Petition.

Petitioner is the owner of all lots in the land affected by the proposed new legal drain. The drainage will affect various lots in Hunter's Creek Village a subdivision in Hamilton County, Indiana. The general route of such drainage shall be in existing easements and along public roads as shown in the plans on file in the Surveyor's Office.

Petitioner believes that the cost, damages and expenses of the proposed improvement will be less than the benefits which will result to the owners of the land likely to be benefited thereby.

Petitioner believes the proposed improvement will:

- (a) improve public health
- (b) benefit a public street
- (c) be of public utility

Petitioner agrees to pay the cost of construction of the storm sewers and requests maintenance assessments by the Board thereafter.

The Petitioner also agrees to the following:

1. To provide the Drainage Board a performance bond for the portion of the storm sewer system which will be made a legal drain. The bond will be in the amount of 100% of the Engineers estimate. Bond will be in effect until construction of 100% of the system is completed and so certified by the Engineer.
2. The Developer shall retain the Engineer throughout the construction phase. At completion of the project the Developers Engineer shall certify that the storm sewer system which is to be maintained as a legal drain has been constructed as per construction plans.
3. Any changes made in the field shall be documented and given to the Surveyor to be placed in the Drain file.
4. The developer shall instruct his Engineer to provide a reproducible print on a 24" x 36" mylar of the final design of the Drainage System.

The Petitioner further requests that the Drain be classified as an Urban Drain.

*Kenneth E. Thompson Pres.*  
KENNETH E. THOMPSON, Owner  
President, Schutz & Thompson, Inc.



STATE OF INDIANA )  
COUNTY OF HAMILTON ) SS:

To: Hamilton County Drainage Board, Noblesville, Indiana  
c/o County Surveyor, Court House, Noblesville, Indiana

In the matter of Hunter's Creek Village Subdivision, Section  
One Drain Petition.

Petitioner is the owner of all lots in the land affected by the  
proposed new legal drain. The drainage will affect various lots  
in Hunter's Creek Village a subdivision in Hamilton County, Indiana.  
The general route of such drainage shall be in existing easements  
and along public roads as shown in the plans on file in the  
Surveyor's Office.

Petitioner believes that the cost, damages and expenses of the  
proposed improvement will be less than the benefits which will  
result to the owners of the land likely to be benefited thereby.

Petitioner believes the proposed improvement will:.

- (a) improve public health
- (b) benefit a public street
- (c) be of public utility

Petitioner agrees to pay the cost of construction of the storm  
sewers and requests maintenance assessments by the Board thereafter.

The Petitioner also agrees to the following:

1. To provide the Drainage Board a performance bond for the  
portion of the storm sewer system which will be made a  
legal drain. The bond will be in the amount of 100% of  
the Engineers estimate. Bond will be in effect until  
construction of 100% of the system is completed and so  
certified by the Engineer.
2. The Developer shall retain the Engineer throughout the  
construction phase. At completion of the project the  
Developers Engineer shall certify that the storm sewer  
system which is to be maintained as a legal drain has  
been constructed as per construction plans.
3. Any changes made in the field shall be documented and  
given to the Surveyor to be placed in the Drain file.
4. The developer shall instruct his Engineer to provide a  
reproducible print on a 24" x 36" mylar of the final design  
of the Drainage System.

The Petitioner further requests that the Drain be classified as  
an Urban Drain.

  
KENNETH E. THOMPSON, Owner  
President, Schutz & Thompson, Inc.

ITEM	DESCRIPTION	QUANTITY	UNIT	UNIT PRICE	TOTAL
	Storm Sewer				
	12" RCP	1505	L.F.	11.50	17,307.50
	15" RCP	456	L.F.	12.50	5,700.00
	18" RCP	836	L.F.	13.50	11,286.00
	21" RCP	335	L.F.	14.75	4,941.25
	24" RCP	165	L.F.	17.25	2,846.25
	27" RCP	175	L.F.	18.50	3,237.50
	Structures				
	Street Inlets	13	EA.	550.00	7,150.00
	Beehives	6	EA.	550.00	3,300.00
	Manholes	3	EA.	750.00	2,250.00
	Special Beehive/Manhole	1	EA.	800.00	800.00
	End Sections				
	12"	3	EA.	125.00	375.00
	15"	2	EA.	125.00	250.00
	18"	3	EA.	150.00	450.00
	21"	1	EA.	175.00	175.00
	27"	1	EA.	200.00	200.00
	Subdrain				
	6"	200	L.F.	5.00	1,000.00
	Rip Rap	75	S.Y.	10.00	750.00
	TOTAL				62,018.50

John V. Schneider, P.E., L.S., President  
Brad DeReamer, L.S., Vice-President  
Paul O. Maves, P.E.  
Gary R. Kent, L.S.  
Dennis Grumpp, L.S.  
Vincent J. Schneider, P.E., L.S.,  
(Retired - Consultant)



**SCHNEIDER ENGINEERING CORPORATION**

Civil Engineers • Land Surveyors

3675 North Post Road  
Indianapolis, Indiana 46226  
(317) 898-8282

Mailing Address  
P.O. Box 26068  
Indianapolis, Indiana 46226-0086

July 31, 1984

County Surveyor  
Courthouse  
Noblesville, Indiana 46060

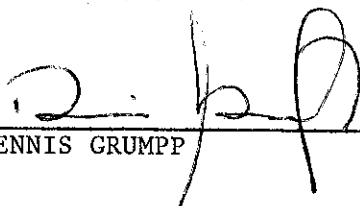
RE: Hunter's Creek Legal Drain  
Hunter's Creek Village - Section I

Attn: Kent Ward

Dear Sir:

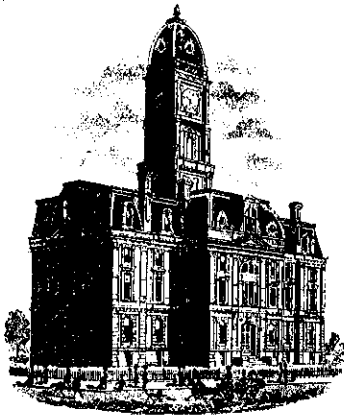
I am writing to inform the Hamilton County Drainage Board that all storm water facilities, including 200 feet of 6 inch subdrain, have been substantially constructed as proposed in Hunter's Creek Village - Section I, as shown on our development plans on file in the office of the County Surveyor, Hamilton County, Indiana.

Very truly yours,

  
DENNIS GRUMPP

DG:ts

cc: Tom Schutz



SURVEYOR'S OFFICE  
**Hamilton County**

Kenton C. Ward, Surveyor

776-9626

Noblesville, Ind. 46060 August 2, 1984

To: Hamilton County Drainage Board

Re: Hunters Creek Village Drain *fact*

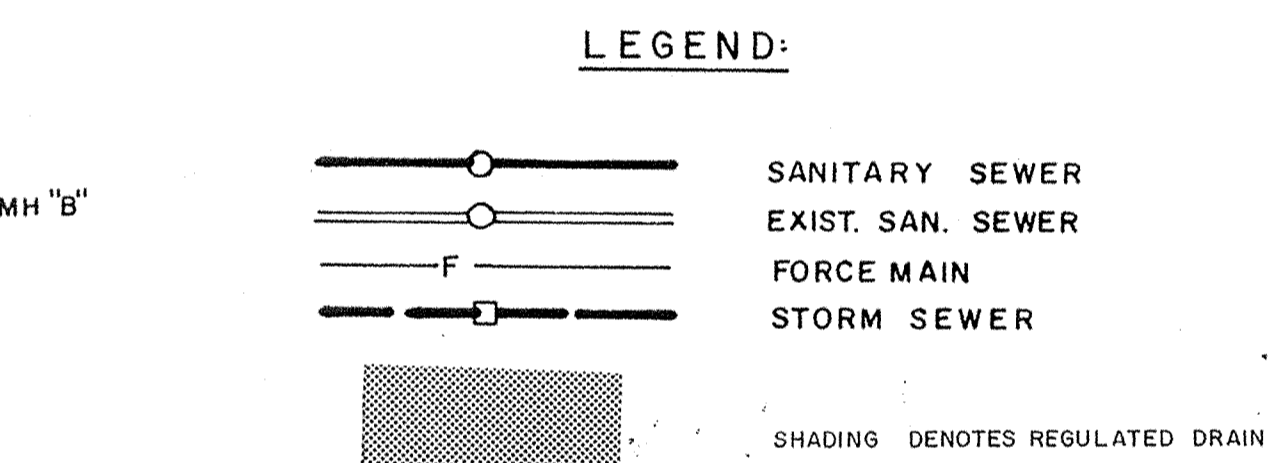
On August 1, 1984 I made a final inspection on Section 1 of the Hunters Creek Village Drain. At this time I found the drain to be complete and acceptable.

Upon review of the file for this drain I found that all required items have been submitted and are within the file.

The as built plans have been submitted showing various changes in the system. The total length for the drain is 3705 feet. Among the changes is 200 feet of subsurface drain along the West side of Bridle Court and the removal of the onsite detention areas. Retention is being placed on the Dyar property as part of Section 2.

*Kenton C. Ward*  
Kenton C. Ward, Surveyor

KCW/jh

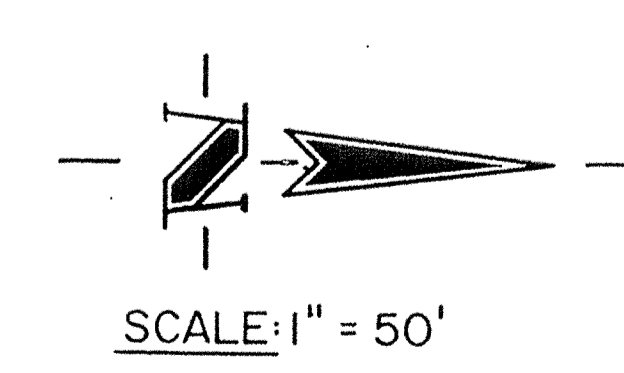


**NOTE:**  
 DRIVEWAY CULVERTS FOR LOTS 23 THRU 27 & 29 TO BE 12" RCP WITH EITHER CONCRETE HEAD WALLS OR END SECTIONS.

This information was gathered for use into the Hamilton County Geographic Information System. It is not to be considered an official record of the GIS.

Entry Date: 6-10-04

Entered by: JOH



<b>PROJECT</b>	HUNTER'S CREEK VILLAGE 276
<b>PREPARED FOR</b>	SCHUTZ & THOMPSON INC.
<b>TITLE</b>	DEVELOPMENT PLAN
<b>SHEET</b>	21
<b>SCALE</b>	1" = 50'

<b>SEC. 1</b>	JOB NO. 276
<b>DATE</b>	6-10-04


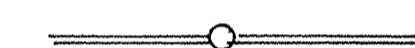
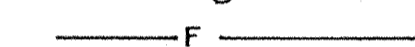


<b>REVISIONS</b>	<table border="1" style="width: 100%; border-collapse: collapse;"> <tr> <th>NO.</th> <th>DATE</th> <th>DESCRIPTION</th> </tr> <tr> <td>1</td> <td>6/10/04</td> <td>REVISIONS TO GENERAL DRAINAGE PLAN</td> </tr> <tr> <td>2</td> <td>6/10/04</td> <td>REVISIONS TO GENERAL DRAINAGE PLAN</td> </tr> <tr> <td>3</td> <td>6/10/04</td> <td>REVISIONS TO GENERAL DRAINAGE PLAN</td> </tr> <tr> <td>4</td> <td>6/10/04</td> <td>REVISIONS TO GENERAL DRAINAGE PLAN</td> </tr> </table>	NO.	DATE	DESCRIPTION	1	6/10/04	REVISIONS TO GENERAL DRAINAGE PLAN	2	6/10/04	REVISIONS TO GENERAL DRAINAGE PLAN	3	6/10/04	REVISIONS TO GENERAL DRAINAGE PLAN	4	6/10/04	REVISIONS TO GENERAL DRAINAGE PLAN
NO.	DATE	DESCRIPTION														
1	6/10/04	REVISIONS TO GENERAL DRAINAGE PLAN														
2	6/10/04	REVISIONS TO GENERAL DRAINAGE PLAN														
3	6/10/04	REVISIONS TO GENERAL DRAINAGE PLAN														
4	6/10/04	REVISIONS TO GENERAL DRAINAGE PLAN														

SCHNEIDER ENGINEERING CORPORATION  
 3075 NORTH POST ROAD  
 INDIANAPOLIS, INDIANA 46226  
 (317) 898-8282  
 P.O. BOX 26068



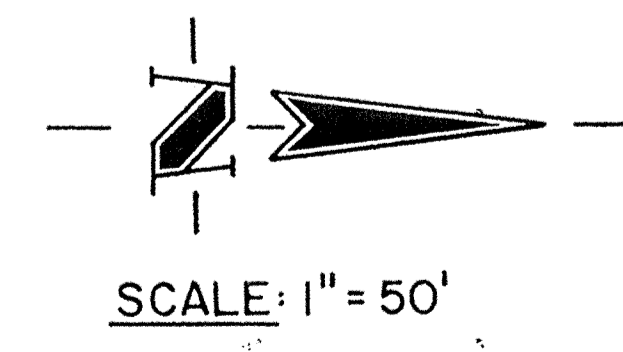
**LEGEND:**

-  SANITARY SEWER
-  EXIST. SAN. SEWER
-  FORCE MAIN
-  STORM SEWER
-  SHADING DENOTES REGULATED DRAIN

**NOTE:**  
 DRIVEWAY CULVERTS FOR LOTS 1 THRU 6  
 TO BE 18" RCP WITH EITHER CONCRETE  
 HEAD WALLS OR END SECTIONS.

This information was gathered by [redacted] into the Hamilton County Geographic Information System. This information is considered an official record of the GIS.

Entry Date: 6-10-09  
 Entered by: JCH



<b>REVISIONS</b>			
NO.	DATE	CHECKED BY	DATE CHECKED
1	8/1/08	J.C.	8/1/08
2	8/14/08	R.L.M.	8/14/08
3	8/14/08	R.L.M.	8/14/08
4	8/14/08	R.L.M.	8/14/08
5	8/14/08	R.L.M.	8/14/08

DRAWN BY: J.C. DATE: 8/1/08  
 CHECKED BY: R.L.M. DATE: 8/14/08  
 PROJECT: HUNTER'S CREEK VILLAGE 276  
 SHEET: S-3 OF 3  
 TITLE: DEVELOPMENT PLAN  
 SCALE: 1" = 50'  
 PREPARED FOR: SCHUTZ & THOMPSON INC.  
 PROJECT NO.: SEC. I  
 JOB NO.: HUNTER'S CREEK VILLAGE 276  
 SCHNEIDER ENGINEERING CORPORATION  
 3675 NORTH POST ROAD  
 INDIANAPOLIS, INDIANA 46226  
 (317) 888-8282  
 P.O. BOX 28068  
 CERTIFIED  
 J. SCHNEIDER  
 PROFESSIONAL ENGINEER  
 16633